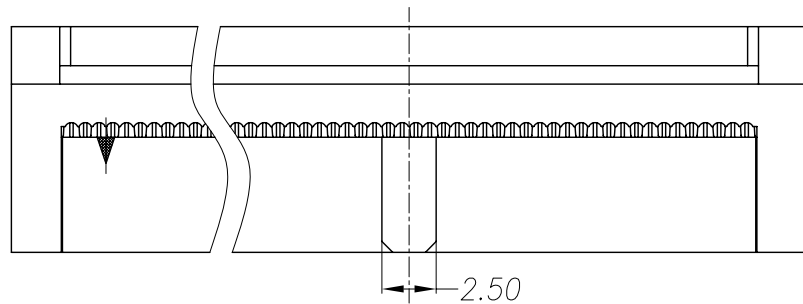
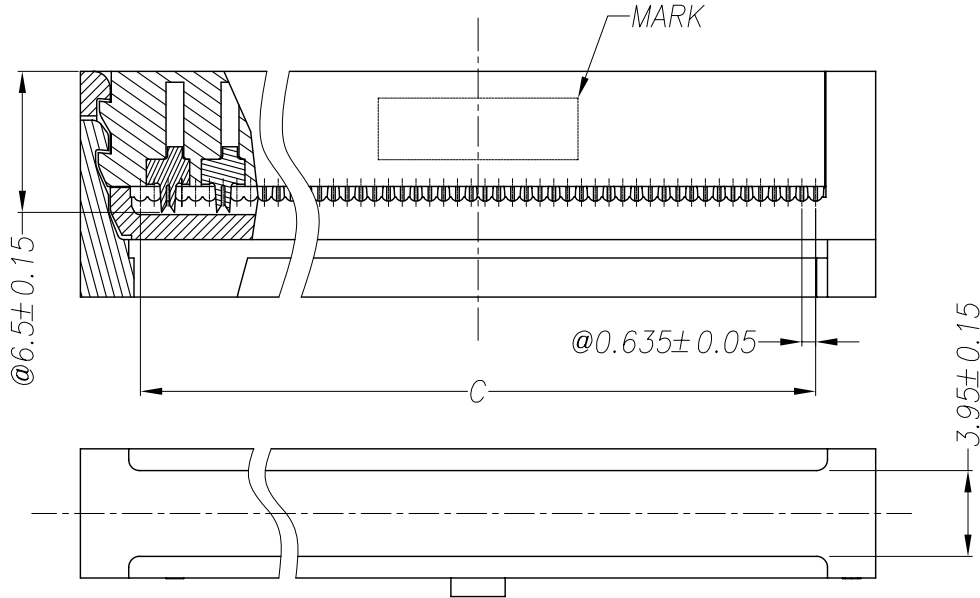
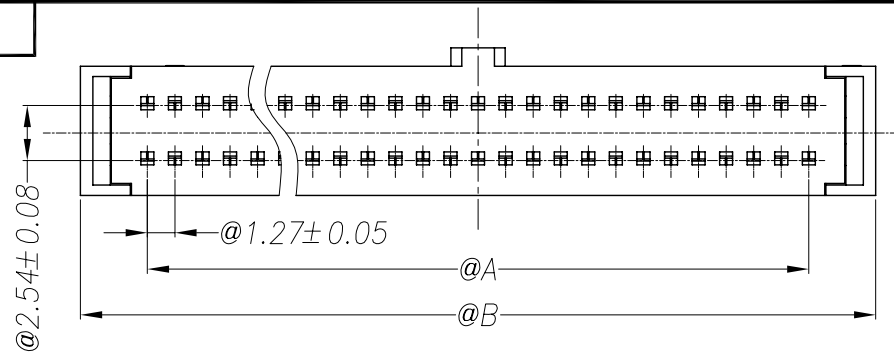


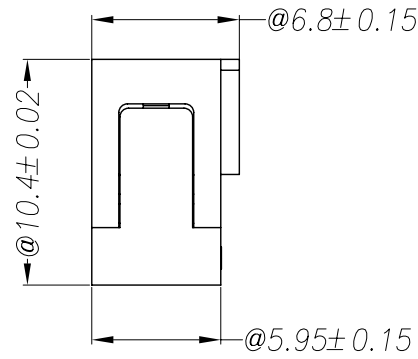
R.O.H.S.



Product Number :

A01**01 ** ** *

PIN Number see table
 07 Phosphor bronze gold 1u"
 08 Phosphor bronze gold 3u"
 09 Phosphor bronze gold 5u"
 11 Phosphor bronze gold 15u"
 12 Phosphor bronze gold 30 u"
 01:ROHS
 02:SONY
 392 no mark
 399 print "tyco"
 051 (Y1)have ear



Note:
 Performance:
 <1>.Operating temperature:-20°C~85°C.
 <2>.Current Rating:1 Amp.
 <3>.Insulation resistance:500 MΩ Min.
 <4>.Dielectric voltage: 300V AC for 1 minute.
 Contents:
 <1>.Plastic material :PBT+G/F,UL 94V-0,black.
 <2>.Contacts copper alloy.
 <3>.Plating: 50 u" nickel plating under, au plated on gold plating area .
 <4>.The "@" dimension must by QC.
 <5>.M(cover),SR Retention Force proceed on Keentop corporation Standard[KTQ-CW-020].

PIN	A±0.10	B±0.15	C±0.10
4	1.27	7.44	0.905
6	2.54	8.71	3.175
8	3.81	9.98	4.445
10	5.08	11.25	5.715
12	6.35	12.52	6.985
14	7.62	13.79	8.255
16	8.89	15.06	9.525
18	10.16	16.33	10.795
20	11.43	17.60	12.065
22	12.70	18.87	13.335
24	13.97	20.14	14.605
26	15.24	21.41	15.875
28	16.51	22.68	17.145
30	17.78	23.95	18.415
32	19.05	25.22	19.685
34	20.32	26.49	20.955
36	21.59	27.76	22.225
38	22.86	29.03	23.495
42	25.40	31.57	26.035
44	26.67	32.84	27.305
46	27.94	34.11	28.575
48	29.21	35.38	29.845
50	30.48	36.65	31.115
52	31.75	37.92	32.385
54	33.02	39.19	33.655
56	34.29	40.46	34.925
58	35.56	41.73	36.195
60	36.83	43.00	37.465
62	38.10	44.27	38.735
64	39.37	45.54	40.005
66	40.64	46.81	41.274
68	41.91	48.08	42.545
70	43.18	49.35	43.815
72	44.45	50.62	45.085
74	45.72	51.89	46.355
76	46.99	53.16	47.625
78	48.26	54.43	48.895
82	50.80	56.97	51.435
84	52.07	58.24	52.705
86	53.34	59.51	53.975
88	54.61	60.78	55.245
90	55.88	62.05	56.515
92	57.15	63.32	57.785
94	58.42	64.59	59.055
96	59.69	65.86	60.325
98	60.96	67.13	61.595
100	62.23	68.40	62.865



CHING JIHMOLDING CO., LTD
 KEENTOP INTERNATIONAL ENTERPRISE CO., LTD

ITEM

MFC CONNECTOR
 (PH1.27*2.54)