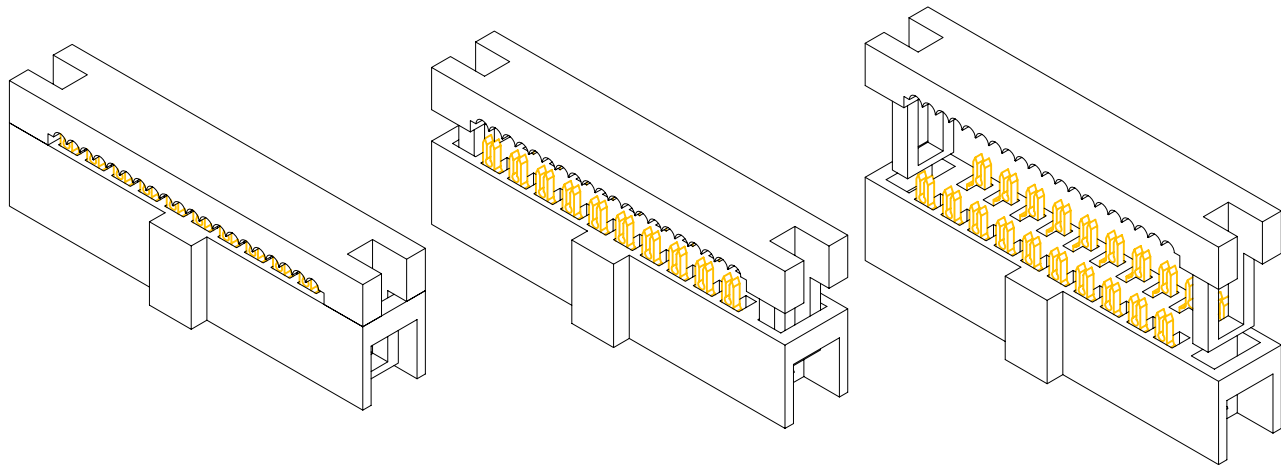
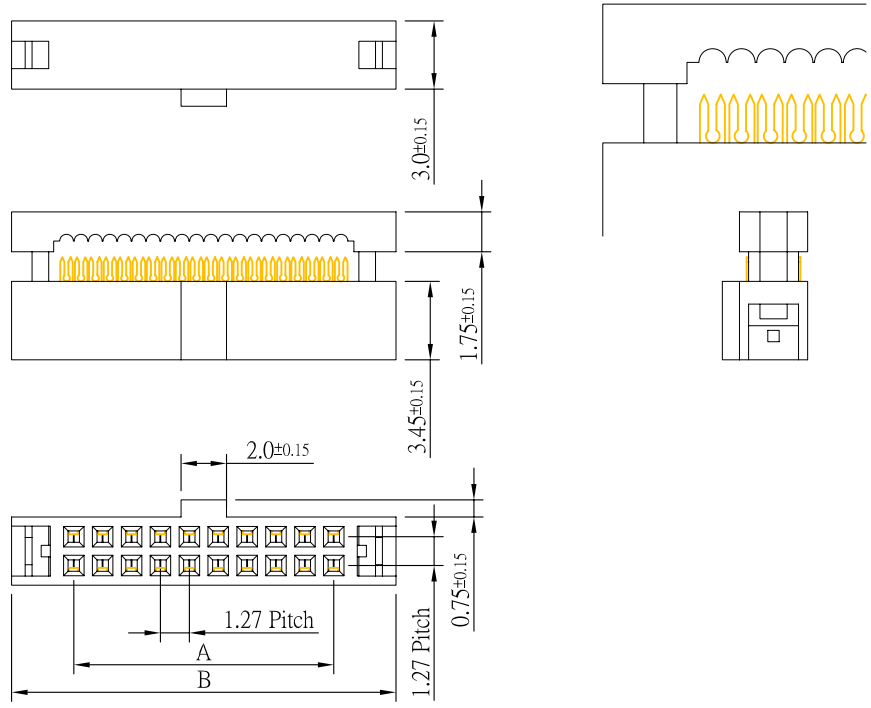


R.O.H.S.



Circuits	Dimension	
	A	B
6	2.54	8.04
10	5.08	10.58
12	6.35	11.85
14	7.62	13.12
16	8.89	14.39
20	11.43	16.93
24	13.97	19.47
26	15.24	20.74
30	17.78	23.28
34	20.32	25.82
40	24.13	29.63
44	26.67	32.17
50	30.48	35.98
60	36.83	42.33
64	39.37	44.87
66	40.64	46.14
68	41.91	47.41



Contract:
 Contact: Phosphor Brass.
 Insulator: PBT.
 Finish: Tin flash plated over nickel.

KEENTOP

CHING JIHMOLDING CO., LTD
 KEENTOP INTERNATIONAL ENTERPRISE CO., LTD

ITEM

IDC CONN. PH:1.27x1.27mm